

NOTES:
 1. ALL DIMENSIONS ARE IN MILLIMETERS UNLESS OTHERWISE NOTED.

LEGEND:

Rev.	Date	Revision Details	Drawn	Chkd.	Appd.

Project Management Consultant :

Design Consultant :
CDM Smith Inc.
 P.O. Box 22835
 Tel.: (0974) 44416963
 Fax.: (0974) 44416962



Client :
Public Works Authority
 P.O. Box 22188
 Tel.: (0974) 44950000
 Fax.: (0974) 44950999



IA
 INFRASTRUCTURE AFFAIRS
 قطر تستحق الأفضل
 Qatar Deserves The Best

Project Name:
MUSAMEER PUMPING STATION AND OUTFALL

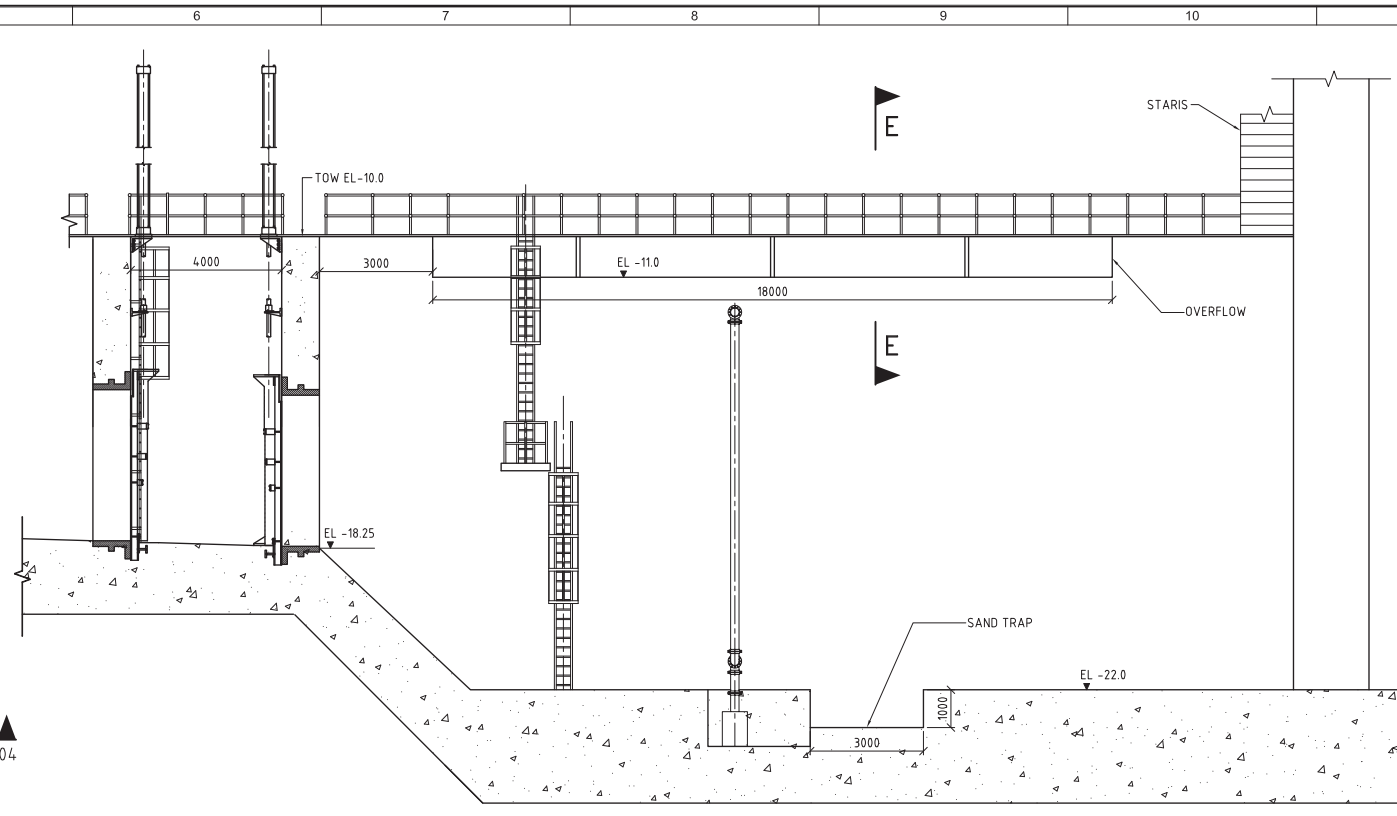
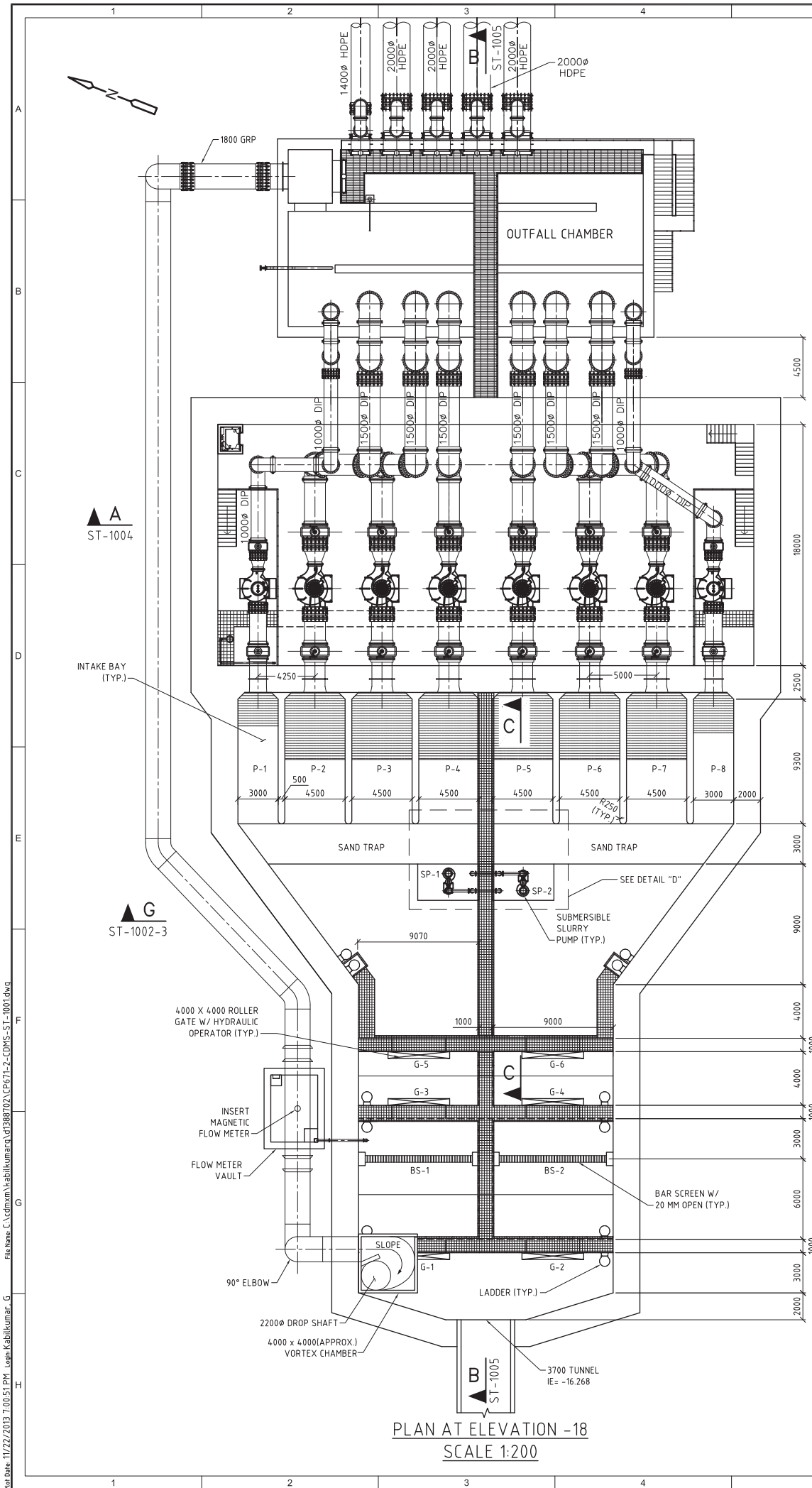
Project Code:
 Status: **PRELIMINARY DESIGN**

Drawing Title:
SITE PLAN - GENERAL ARRANGEMENT

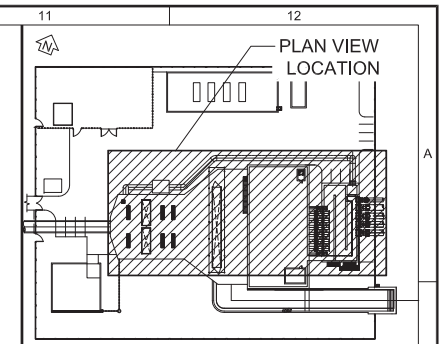
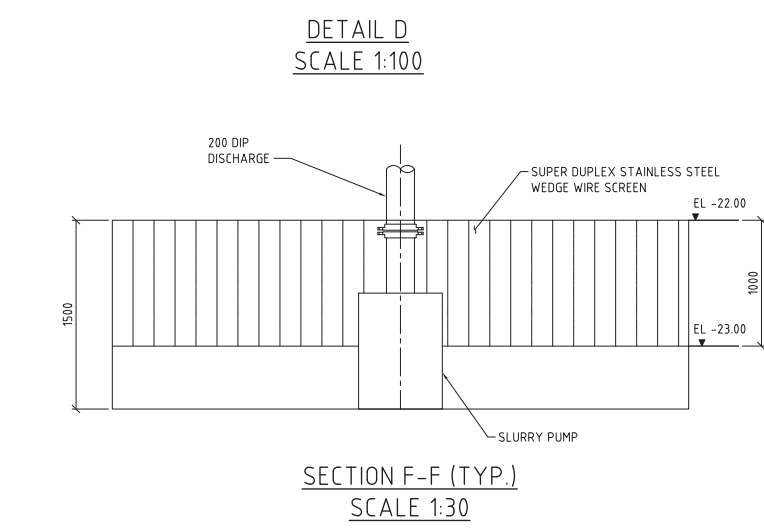
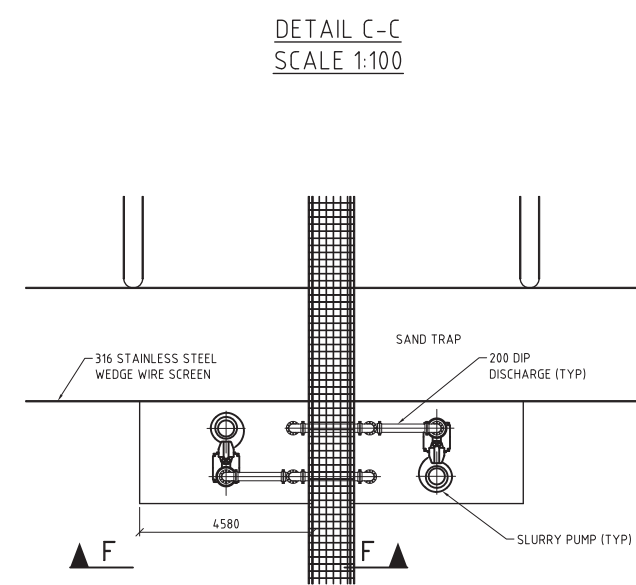
Drawn: ILAYARAJA.VR	Checked: JC
Designed: SN	Approved: -
Date: NOVEMBER 2013	Scale: 1 : 250 ON A1
Drawing Number: CP671/2-CDMS-GR-2001	Revisior: P01

DRAFT - FOR INFORMATION ONLY

File Name: C:\cdms\m\kabilikummar\CP671-2-CDMS-GR-2001.dwg



SECTION E-E
SCALE 1:50



NOTES:
1. ALL DIMENSIONS ARE IN MILLIMETERS.

LEGEND:

Rev.	Date	Revision Details	Drawn	Chkd.	Appd.

Project Management Consultant:

Design Consultant:
CDM Smith Inc.
 P.O. Box 22835
 Tel: (0974) 44416963
 Fax: (0974) 44416962



Client:
Public Works Authority
 P.O. Box 22188
 Tel: (0974) 44950000
 Fax: (0974) 44950999

IA
 INFRASTRUCTURE AFFAIRS
 قطر تستحق الأفضل
 Qatar Deserves The Best



Project Name:
MUSAMEER PUMPING STATION AND OUTFALL

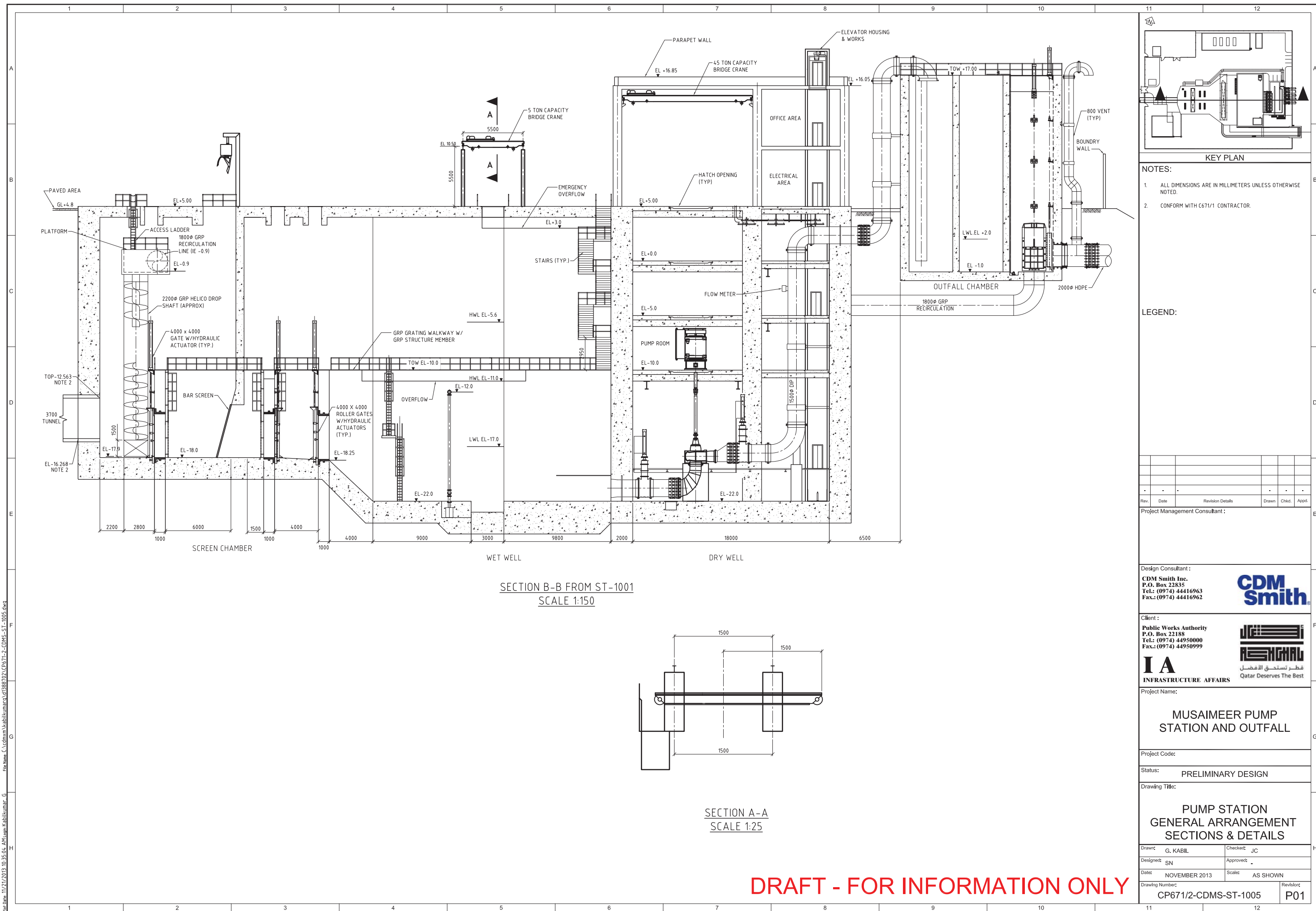
Project Code:
 Status: **PRELIMINARY DESIGN**

Drawing Title:
PUMP STATION GENERAL ARRANGEMENT PLAN

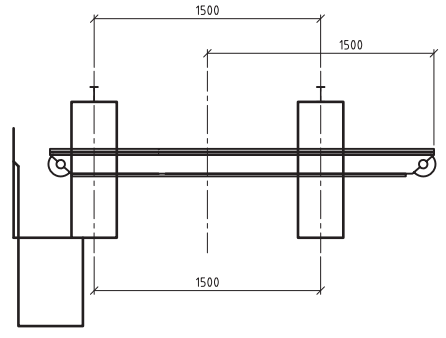
Drawn: G. KABIL	Checked: JC
Designed: SN	Approved: -
Date: NOVEMBER 2013	Scale: AS SHOWN
Drawing Number: CP671/2-CDMS-ST-1001	Revisor: P01

DRAFT - FOR INFORMATION ONLY

File Name: C:\cdm\m\kabil\kumar\0388702\EP671-2-CDMS-ST-1001.dwg

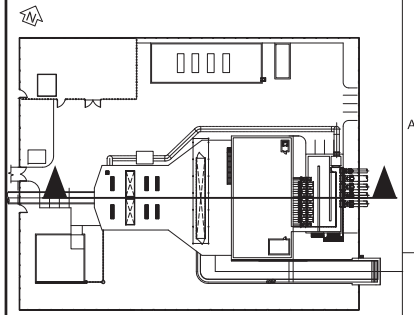


SECTION B-B FROM ST-1001
SCALE 1:150



SECTION A-A
SCALE 1:25

DRAFT - FOR INFORMATION ONLY



KEY PLAN

- NOTES:
- ALL DIMENSIONS ARE IN MILLIMETERS UNLESS OTHERWISE NOTED.
 - CONFORM WITH C671/1 CONTRACTOR.

LEGEND:

Project Management Consultant :

Design Consultant :
CDM Smith Inc.
 P.O. Box 22835
 Tel.: (0974) 44416963
 Fax.: (0974) 44416962



Client :
Public Works Authority
 P.O. Box 22188
 Tel.: (0974) 44950000
 Fax.: (0974) 44950999



IA
 INFRASTRUCTURE AFFAIRS
 قطر تستحق الأفضل
 Qatar Deserves The Best

Project Name:
MUSAIMEER PUMP STATION AND OUTFALL

Project Code:

Status: **PRELIMINARY DESIGN**

Drawing Title:
PUMP STATION GENERAL ARRANGEMENT SECTIONS & DETAILS

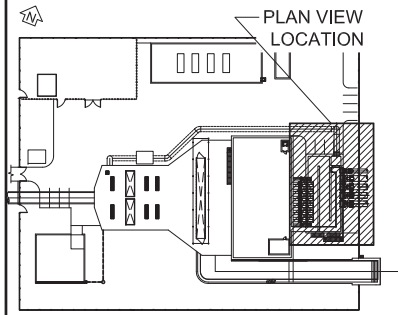
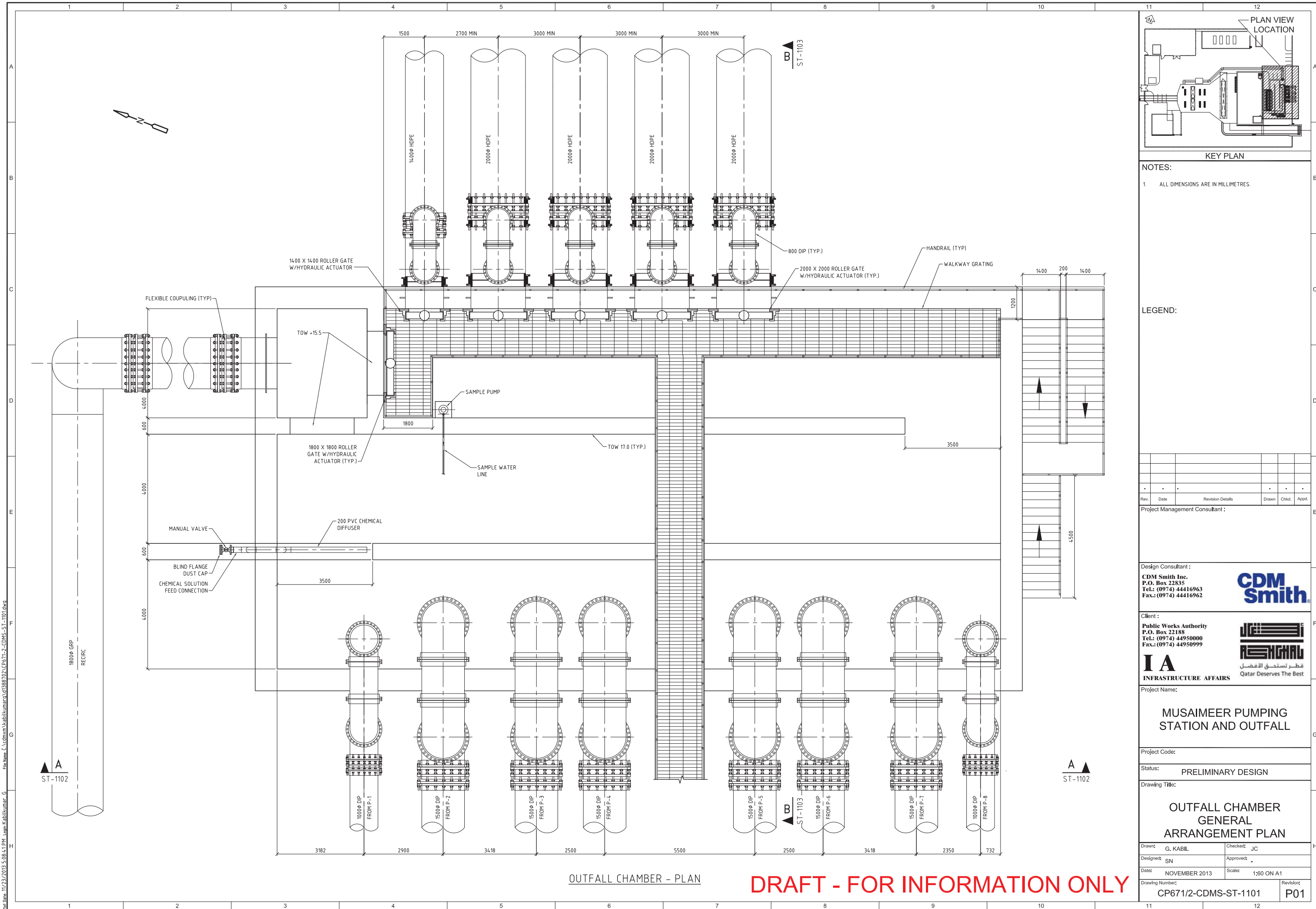
Drawn: G. KABIL Checked: JC

Designed: SN Approved: -

Date: NOVEMBER 2013 Scale: AS SHOWN

Drawing Number: **CP671/2-CDMS-ST-1005** Revisor: **P01**

File Name: C:\cdm\m\kabil\kumar\03388702\CP671-2-CDMS-ST-1005.dwg
 Plot Date: 11/21/2013 10:35:04 AM
 User: kabil.kumar



KEY PLAN

NOTES:
1. ALL DIMENSIONS ARE IN MILLIMETRES.

LEGEND:

Project Management Consultant :

Design Consultant :
CDM Smith Inc.
P.O. Box 22835
Tel.: (0974) 44416963
Fax.: (0974) 44416962



Client :
Public Works Authority
P.O. Box 22188
Tel.: (0974) 44950000
Fax.: (0974) 44950999



IA
INFRASTRUCTURE AFFAIRS
قطر تستحق الأفضل
Qatar Deserves The Best

Project Name:

MUSAIMEER PUMPING STATION AND OUTFALL

Project Code:

Status: **PRELIMINARY DESIGN**

Drawing Title:

OUTFALL CHAMBER GENERAL ARRANGEMENT PLAN

Drawn: G. KABIL Checked: JC

Designed: SN Approved: -

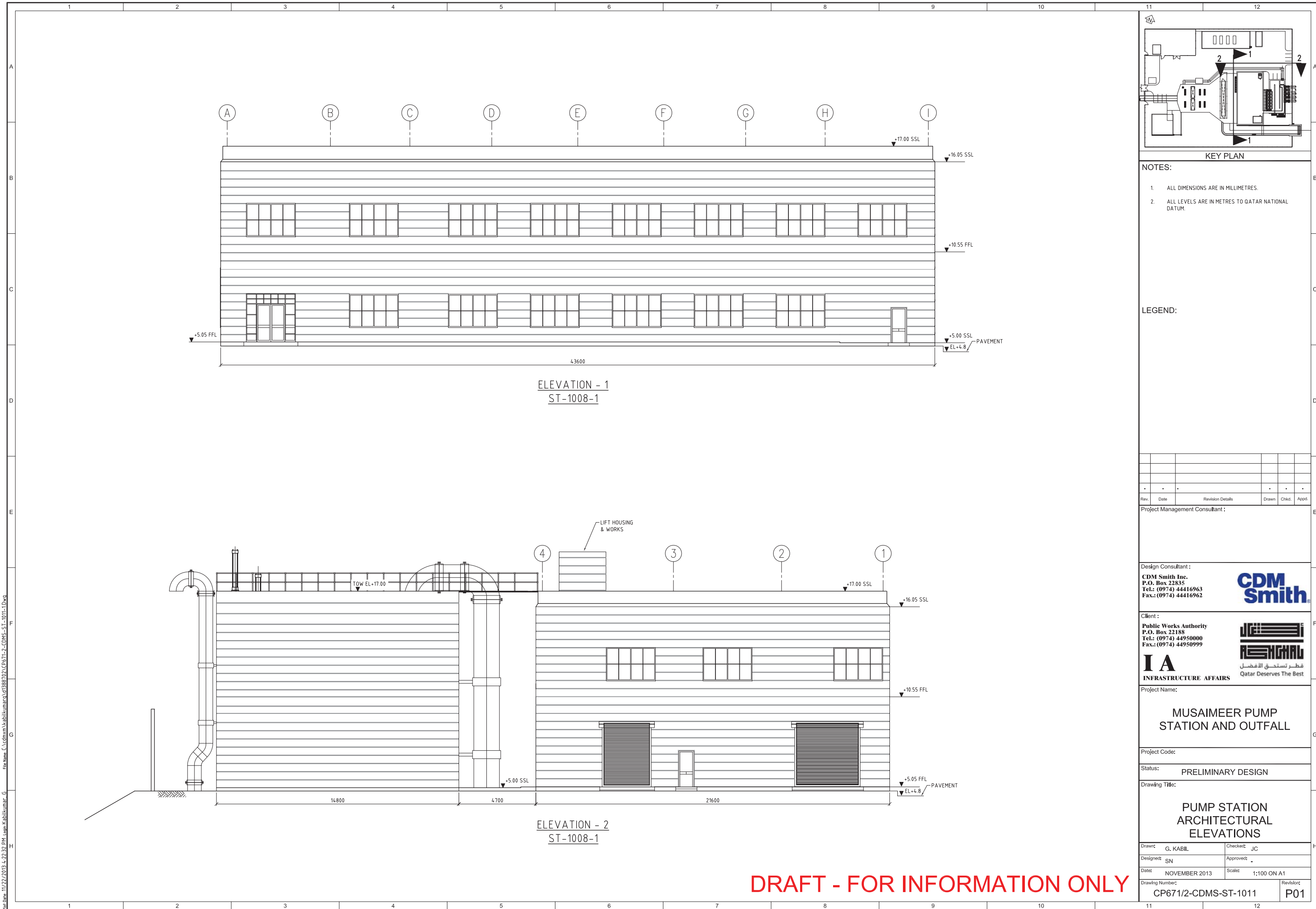
Date: NOVEMBER 2013 Scale: 1:60 ON A1

Drawing Number: **CP671/2-CDMS-ST-1101** Revision: **P01**

OUTFALL CHAMBER - PLAN

DRAFT - FOR INFORMATION ONLY

File Name: C:\cdm\m\kabil\kumar\0388702\EP671-2-CDMS-ST-1101.dwg



KEY PLAN

NOTES:

1. ALL DIMENSIONS ARE IN MILLIMETRES.
2. ALL LEVELS ARE IN METRES TO QATAR NATIONAL DATUM.

LEGEND:

Rev.	Date	Revision Details	Drawn	Chkd.	Appd.
-	-	-	-	-	-

Project Management Consultant :

Design Consultant :
CDM Smith Inc.
 P.O. Box 22835
 Tel.: (0974) 44416963
 Fax.: (0974) 44416962



Client :
Public Works Authority
 P.O. Box 22188
 Tel.: (0974) 44950000
 Fax.: (0974) 44950999



IA
 INFRASTRUCTURE AFFAIRS
 قطر تستحق الأفضل
 Qatar Deserves The Best

Project Name:

MUSAIMEER PUMP STATION AND OUTFALL

Project Code:

Status: **PRELIMINARY DESIGN**

Drawing Title:

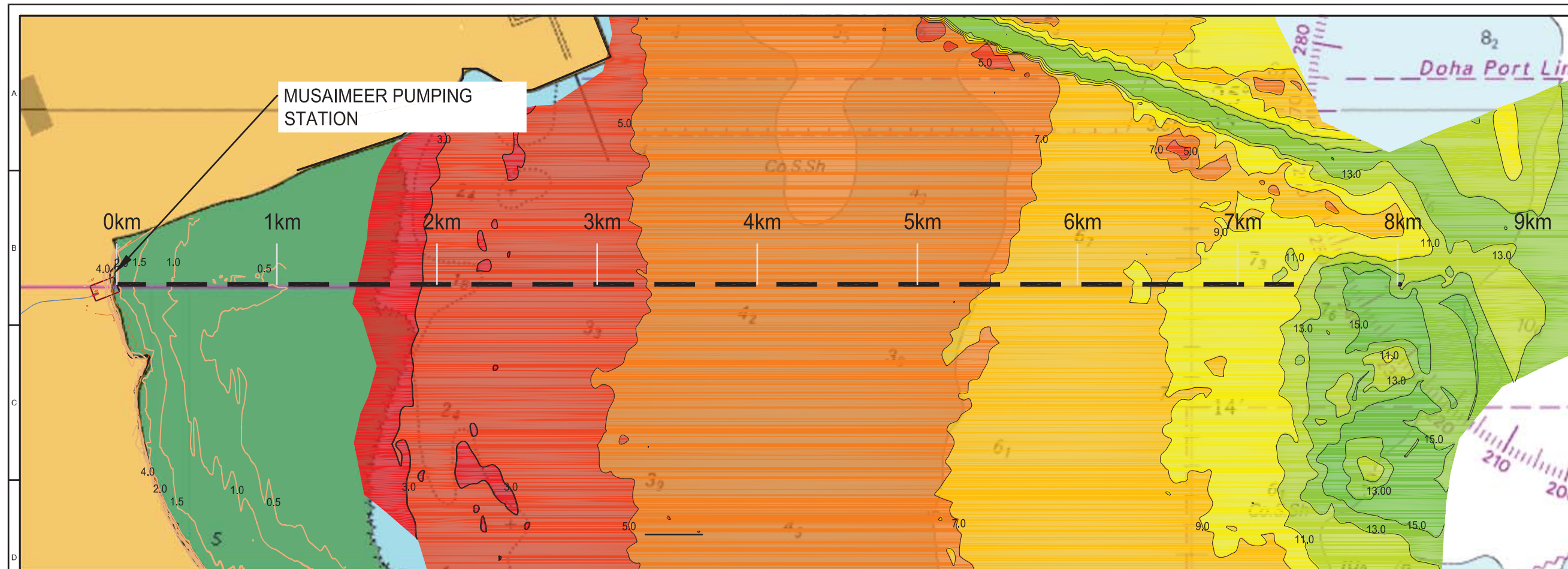
PUMP STATION ARCHITECTURAL ELEVATIONS

Drawn: G. KABIL	Checked: JC
Designed: SN	Approved: -
Date: NOVEMBER 2013	Scale: 1:100 ON A1

Drawing Number: CP671/2-CDMS-ST-1011	Revisior: P01
--------------------------------------	---------------

DRAFT - FOR INFORMATION ONLY

File Name: C:\cdms\m\kabil\kumar\CP671-2-CDMS-ST-1011-1.Dwg Plot Date: 11/22/2013 4:23:32 PM User: Kabilkumar_G



KEY PLAN

NOTES:

1. ALL DIMENSIONS ARE IN METRES UNLESS OTHERWISE STATED
2. ALL LEVELS ARE IN METRES AND RELATE TO QNH

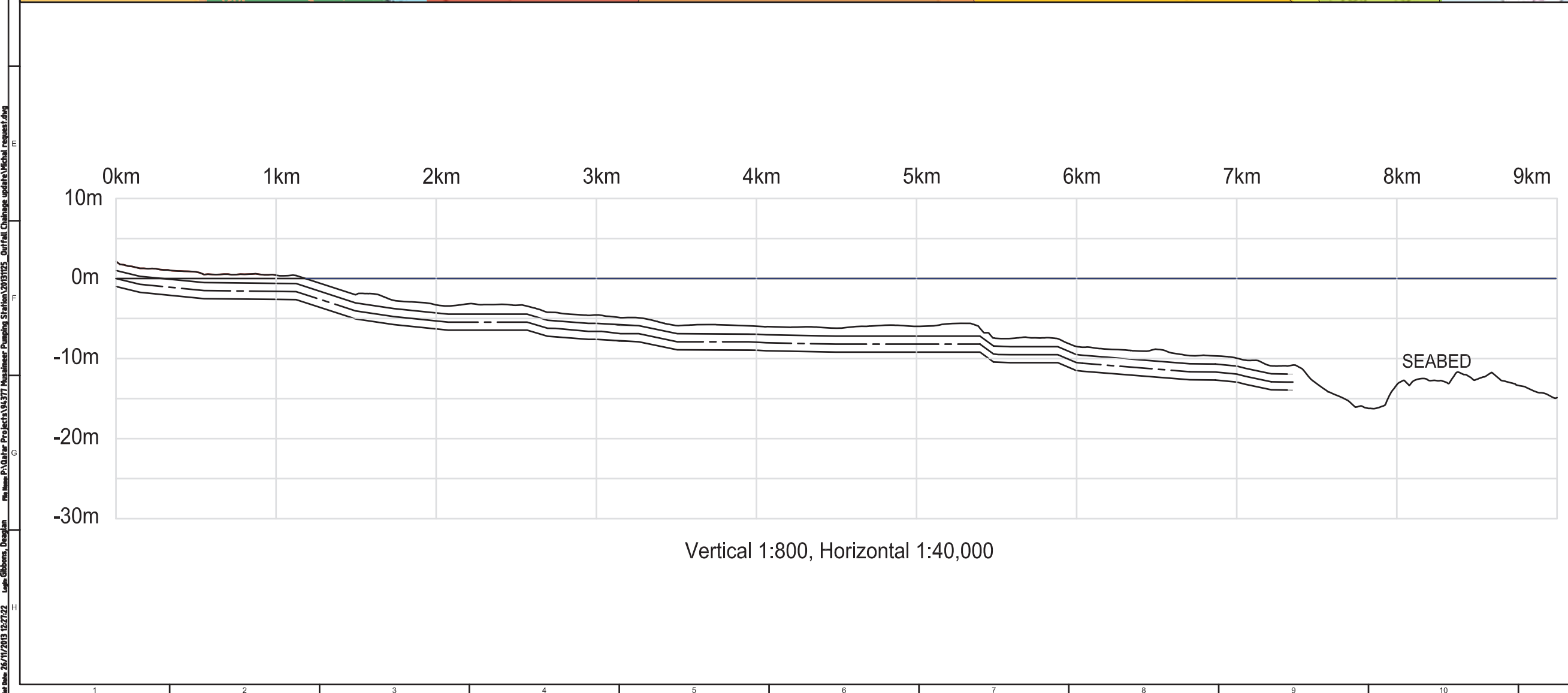
© SeaZone Solutions, 2005, 092012.013

LEGEND:

- OUTFALL ALIGNMENT
- ABU HAMOUR TUNNEL

BATHYMETRY SURVEY DEPTHS

- <3.00
- 3.00 - 4.99
- 5.00 - 6.99
- 7.00 - 8.99
- 9.00 - 10.99
- 11.00 - 12.99
- 13.00 - 14.99
- 15.00 - 16.99



Vertical 1:800, Horizontal 1:40,000

Rev.	Date	Revision Details	Drawn	Chkd.	Appd.
K01	26NOV13	FIRST DRAFT	DG	MS	JC

Project Management Consultant :

Design Consultant :

CDM Smith Inc.
P.O. Box 22835
Tel.: (0974) 44416963
Fax.: (0974) 44416962

Client :

Public Works Authority
P.O. Box 22188
Tel.: (0974) 44950000
Fax.: (0974) 44950999

IA
INFRASTRUCTURE AFFAIRS
قطر تستحق الأفضل
Qatar Deserves The Best

Project Name:
PRE CONTRACT CONSULTANCY SERVICES FOR MUSAIMEER PUMPING STATION AND OUTFALL

Project Code: P2012/38

Status: CONCEPT STAGE

Drawing Title:
OUTFALL PIPELINE OVERALL PLAN-PROFILE DRAFT- INFORMATION ONLY

Drawn: D.GIBBONS	Checked: M.SMIETANKA
Designed: J.CRIPPEN	Approved: J.CRIPPEN
Date: NOV 2013	Scale: 1:30,000 @ A4
Drawing Number: CP671.2-P00-CDM-EN-1003	Revision: K01

Rev. No: 26/11/2013 12:27:22
 Lead: Gibbons, Douglas
 P:\Qatar Projects\13\3771 MUSAIMEER Pumping Station\20131025 - Outfall Chainage update\Michael request.dwg